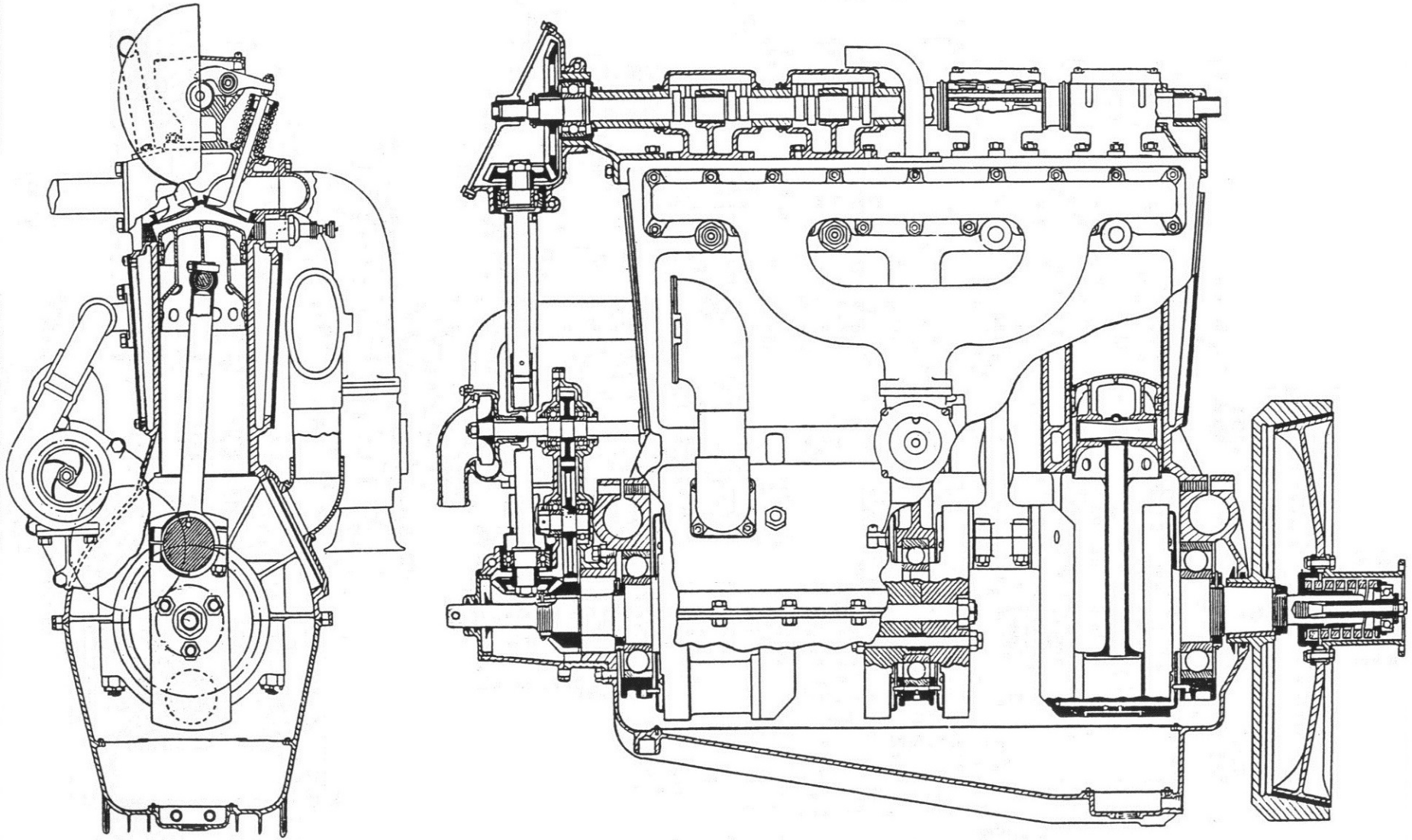


## FRONTENAC ENGINE DETAILS



*Showing the arrangement of the cast iron cylinder liners and valve seats in the aluminum cylinder castings, the large jacket plates at the sides and ends of the cylinder block, the tubular connecting-rods; ball-bearing crankshaft made in halves, overhead camshaft, double valve springs, bevel gear camshaft drive and other features*