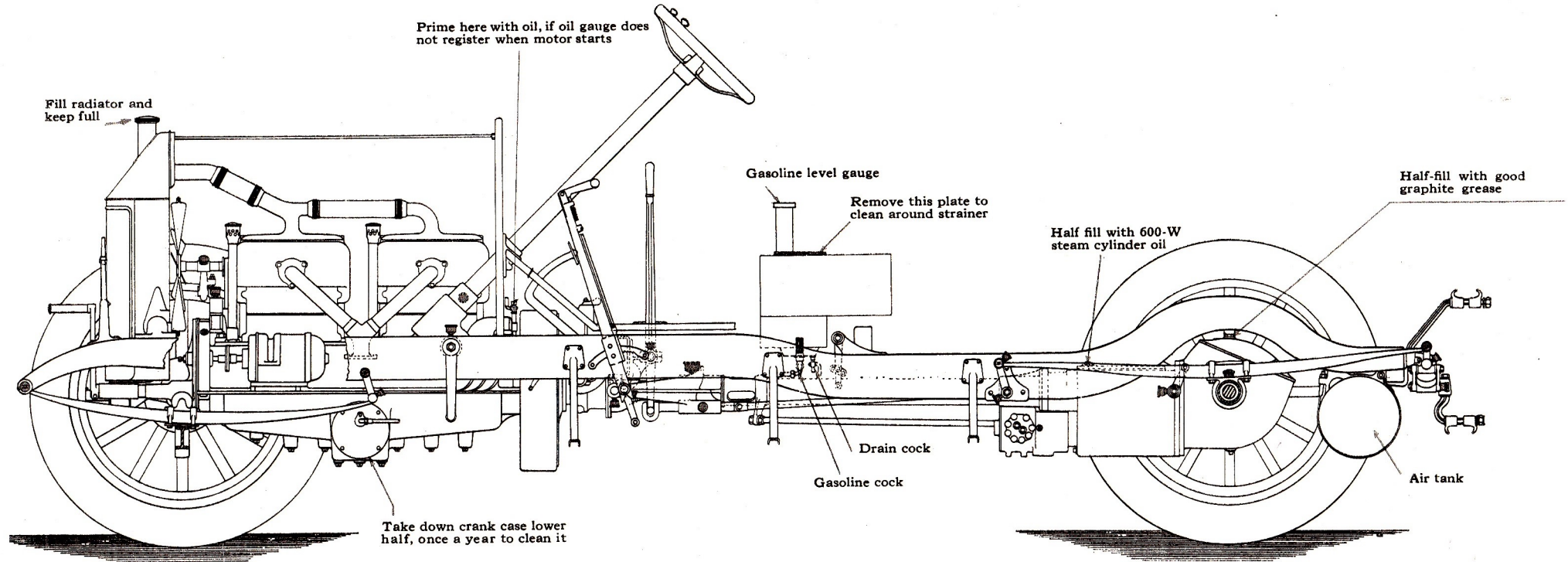


CHEVROLET-40-1913

Lubrication Chart



Keep all grease cups (marked in red) filled up - use good graphite grease